

## TL 1000

- The coupling devices TL\* are used to adapt the input circuits of the insulation monitoring device to a higher operating voltage than the operating voltage of the IMD directly.
- The coupling units are connected between IT power supply system and insulation monitoring device.

Type		TL 1000
Rated operating AC voltage	$U_N$	1 000 V
Maximum continuous operating voltage AC	$U_C$	1 250 V
Designed for insulation monitoring device		HIS71, HIG93, HIG91, HIG92, HIG94
Maximal operating current AC	$I_C$	< 3 x 3 mA
Internal resistance	$R_{IN}$	3 x 20 k $\Omega$
Internal inductance	$L_{IN}$	3 x 600 H
Filtration capacitance	C	27 $\mu$ F
Offset for insulation monitoring device	$R_{tl\ ext}$	8.5 k $\Omega$
Housing material		PS
Degree of protection		IP62
Operating temperature	$\vartheta$	-40 ÷ 55 °C
Recommended cross-section of connected conductors	S	1.5 mm <sup>2</sup>
Installation		On the mounting plate
Operating position		Any
Operation type		Permanent
Lifetime		> 100 000 h
Use for traction		No
<b>Designed according to standards</b>		
Insulation coordination for equipment within low-voltage systems		IEC 60664-1:2007
Safety of power transformers, power supplies, reactors and similar		IEC 61558-1:2005
<b>Ordering, packaging and additional data</b>		
Mass	m	1.3 kg
Mass (including the packaging)	m	1.396 kg
Packaging dimensions (H x W x D)		108 x 258 x 153 mm
Packaging value	V	4.26 dm <sup>3</sup>
Customs tariff no.		90303370
EAN code		8590681165799
<b>Art. number</b>		<b>70 100</b>

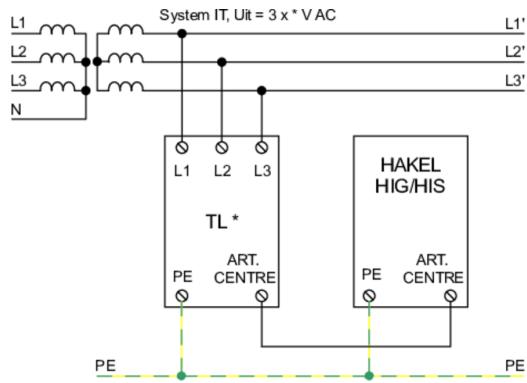


The link in the QR code leads to the online presentation of the TL 1000. There, in addition to the always up-to-date data sheet, you will also find all diagrams and drawings, declarations of conformity, or 2D or 3D models and other necessary materials. For more information, visit [www.hakel.com](http://www.hakel.com)



8590681165799

**Application wiring diagram (installation)**



**Internal diagram**

